

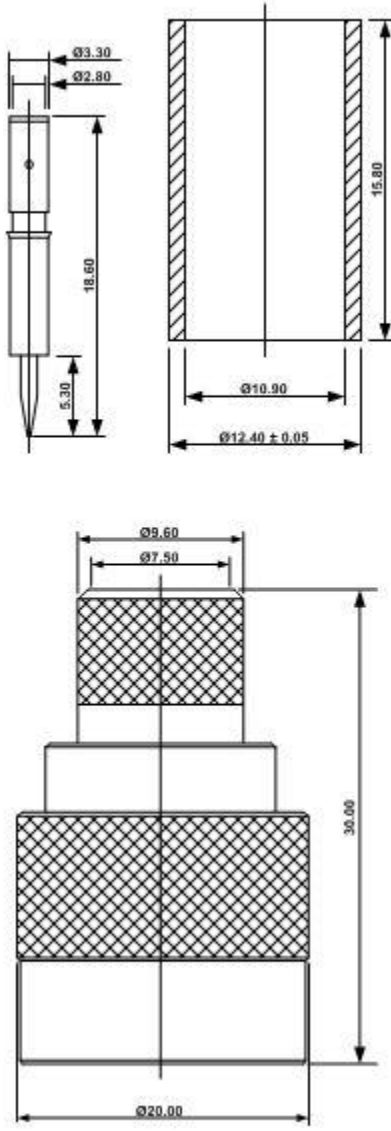


<b>Electrical Characteristics</b>		
Impedance	50 ohm	75 ohm
Frequency range	0-11 GHz	0-1.5 GHz
V.S.W.R. : Straight connector Right angle connector	1.3 Max. 1.5 Max.	1.3 Max. 1.5 Max.
Insertion loss: Straight connector Right angle connector	0.3 dB max @ 10 GHz 0.3 dB max @ 10 GHz	0.3 dB max 0.3 dB max @ 10 GHz
Insulation resistance	5000 Megohms min.	5000 Megohms min.
<b>Contact resistance</b>		
Centre contact	3 Milliohms Max.	3 Milliohms Max.
Outer conductor	2 Milliohms Max.	2 Milliohms Max.
Working voltage in VRMS (at sea level)	1000 VRMS min. at sea level	1000 VRMS min. at sea level
Dielectric withstanding voltage in VRMS (at sea level)	2500 VRMS min. at sea level	2500 VRMS min. at sea level
<b>Mechanical Characteristics</b>		
Durability	500 matings	500 matings
Force to engage and disengage	6 in-lbs. max	6 in-lbs. max
Proof torque	30 in-lbs. max	30 in-lbs. max
Coupling nut retention force	100 lbs. min	100 lbs. min
Cable retention force	RG58, 141, 142, 223 → 40 lbs min RG174, 188, 316 → 20 lbs min RG8A, 9B, 213, 214 → 80 lbs min	RG59, 62A, 210 → 40 lbs min
Center contact retention force	6 in-lbs. min	6 in-lbs. min
<b>Environmental Characteristics</b>		
Temperature range	(-65° C to 165° C)	(-65° C to 165° C)
Thermal shock	MIL-STD-202 Method 107 Test Cond. B.	MIL-STD-202 Method 107 Test Cond. B.
Corrosion (salt spray)	MIL-STD-202 Method 101 Test Cond B.	MIL-STD-202 Method 101 Test Cond B.
Vibration	MIL-STD-202 Method 204 Test Cond B.	MIL-STD-202 Method 204 Test Cond B.
<b>Materials</b>		
Body (nut) / center male contact / outer contacts	Brass	Brass
Center female contacts	Brass / Beryllium Copper	Brass / Beryllium Copper
Ferrules	Brass	Brass
Insulators	Teflon	Teflon
<b>Plating</b>		
Body	Nickel, Silver per requirement	Nickel, Silver per requirement
Coupling nut / design	Nickel, Silver per requirement	Nickel, Silver per requirement
Center contacts	Gold, Silver per requirement	Gold, Silver per requirement
Outer contacts / design	Nickel, Silver per requirement	Nickel, Silver per requirement

V-7301-8

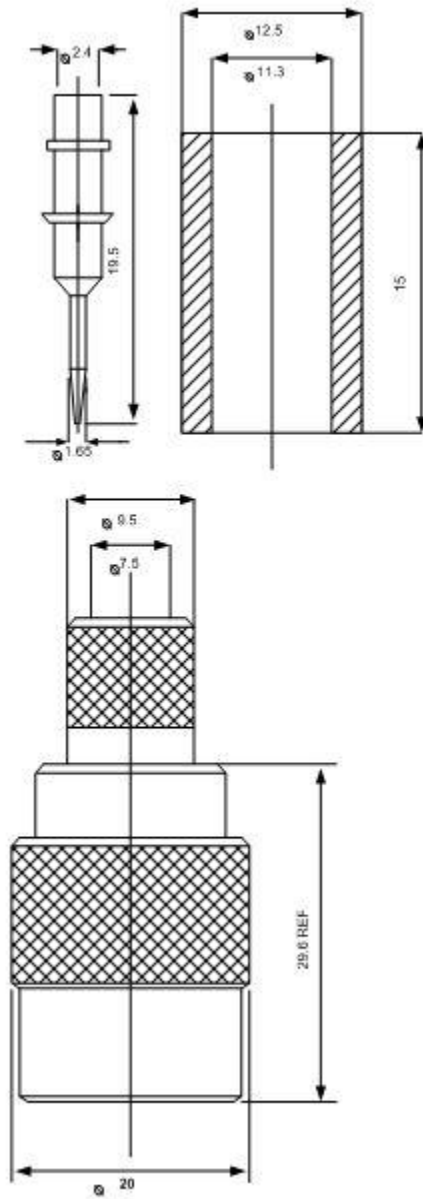


USA  
Velocity Technology Industries  
LLC  
115 Vista Del Prado  
Los Gatos Ca. 95030 USA  
Tel: +1-408-354-4184  
Fax: +1-408-354-3452  
Email: sales@velocityti.com



NO.	DESCRIPTION	MATERIAL	FINISH	QTY	SCALE	ISSUE	DIMENSION ARE IN MILLIMETERS	
							1	2
8	BODY	BRASS	NICKEL	1				
7	PIN	BRASS	GOLD	1				
6	DIELECTRIC	TEFLON	WHITE	1				
5	GROUND RING	BRASS	NICKEL	1				
4	FERRULE	BRASS	NICKEL	1				
3	SHELL	BRASS	NICKLE	1				
2	RETAINING	BRASS	NICKEL	1				
1	GASKET	SI-RUBBER	ORANGE	1				
							UNLESS OTHERWISE SPECIFIED TOLERANCES	
							0.5-5 = +0.2	
							6-30 = +0.4	
							30-120 = +0.6	
							120-315 = +1	
							315-1000 = +1.6	
							1000-2000 = +2.4	
							PART NO.: V-7301-8	
							APPROVED DATE September 6 2009	
							CHECKED DATE July 10 2009	
							DRAWN DATE July 10 2009	
							FILE NO:	
							ITEM NO:	
							DRAWING NO: V-7301-8	
							TITLE: N MALE CRIMP Type For RG8/U	
							Velocity Technology Industries	

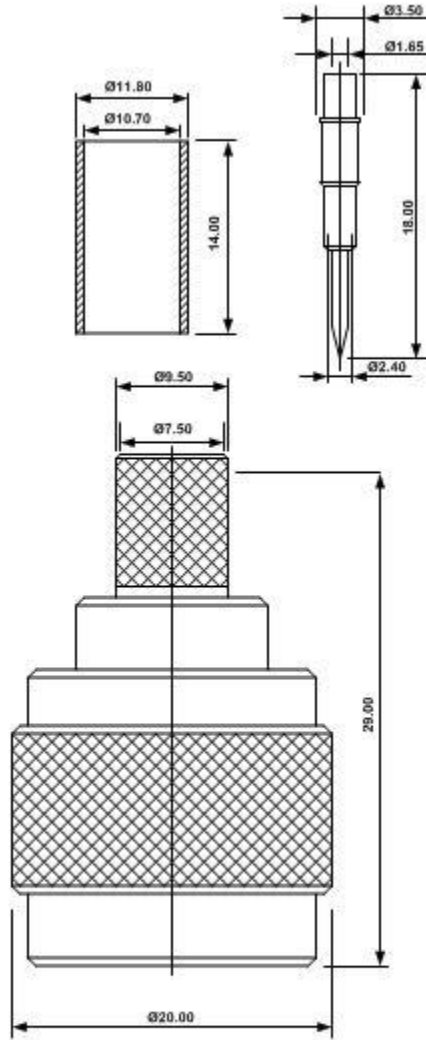
**USA**  
 Velocity Technology Industries  
 LLC  
 115 Vista Del Prado  
 Los Gatos Ca. 95030 USA  
 Tel: +1-408-354-4184  
 Fax: +1-408-354-3452  
 Email: sales@velocityti.com



NO	DESCRIPTION	MATERIAL	FINISH	QTY	DIMENSION ARE IN MILLIMETERS		
					SCALE	ISSUE	FILE NO.
1	BODY	BRASS	NICKEL	1	UNLESS OTHERWISE SPECIFIED TOLERANCES		
2	PIN	BRASS	GOLD	1	0.5-5 = ±0.2		
3	DIELECTRIC	TEFLON	WHITE	1	6-30 = ±0.4		
4	GROUND RING	BRASS	NICKEL	1	120-315 = ±1		
5	FERRULE	BRASS	NICKEL	1	315-1000 = ±1.6		
6	SHELL	BRASS	NICKLE	1	1000-2000 = ±2.4		
7	RETAINING	BRASS	NICKEL	1			
8	GASKET	SI-RUBBER	ORANGE	1			
				PART NO.: V-7301-58		Velocity Technology Industries	
				APPROVED DATE December 20 2005		TITLE: N MALE CRIMP Type For RG58U (TEFLON)	
				CHECKED DATE December 20 2005		DRAWING NO.: V-7301-58	
				DRAWN DATE December 20 2005		ITEM NO.:	



USA  
Velocity Technology Industries LLC  
710 E. McGlinchy Lane  
Unit 106, Campbell CA. 95008 USA  
Tel: +1-408-540-7072  
Fax: +1-408-540-7139  
Email: sales@velocityti.com



This drawing has approved by  
Customer Signature  
Date :

NO.	DESCRIPTION	MATERIAL	QTY	SCALE	ISSUE	mm
8	GASKET	SI-RUBBER	1			
7	RETAINING RING	BRASS	1			
6	SHELL	BRASS	1			
5	FERRULE	BRASS	1			
4	GROUND RING	BRASS	1			
3	DIELECTRIC	TEFLON	1			
2	CONTACT PIN	BRASS	1			
1	BODY	BRASS	1			

UNLESS OTHERWISE SPECIFIED TOLERANCES	
0.5 - 5	= ± 0.05
5 - 10	= ± 0.07
10 - 20	= ± 0.10
20 - 30	= ± 0.15
30 ~	= ± 0.20

PART NO.:	VELOCITY TECHNOLOGY INDUSTRIES
V-7301-213	
APPROVED DATE: Sep 2009	TITLE: N MALE CRIMP FOR RG213
CHECKED DATE: May 2009	DRAWING NO.:
DRAWN DATE: May 2009	V-7301RG213
	FILE NO.: