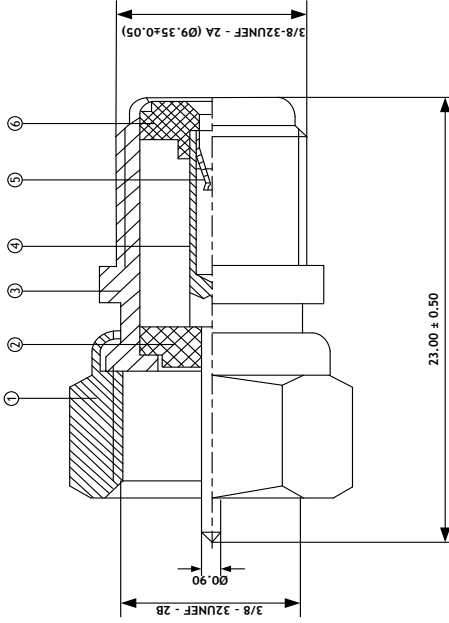




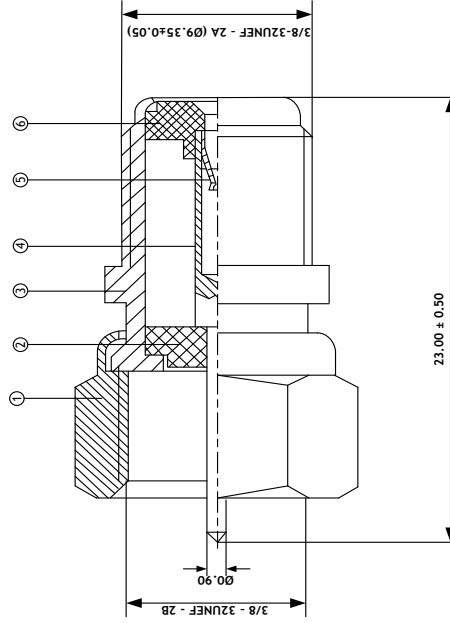
<b>General</b>	
Impedance	50 ohm
Frequency range	0-12.4 GHz on Flexible cable 0-18 GHz on Semi-rigid cable
Temperature range	(- 65°C to 165°C)
<b>Electrical Characteristics</b>	
Insulation resistance	5000 Megohms min.
<b>Contact resistance</b>	
Outer conductor	2 Milliohms Max.
Inner conductor	6 Milliohms Max.
<b>V.S.W.R.</b>	
Straight connector	1.3 max
Right angle connector	1.5 max
Dielectric withstanding voltage in VRMS	RG178 : 500 VRMS min. RG316,.085" : 250 VRMS max RG142,.141" : 335 VRMS max
<b>Mechanical Characteristics</b>	
Cable retention force	RG58, 141, 142, 223 --> 40 lbs min RG172, 188, 316 --> 20 lbs min
Force to engage and disengage	2 in-lbms. Max
Coupling nut torque recommended	15 in-lbs. min.
Coupling nut retention force	60 lbs. min
<b>Environmental Characteristics</b>	
Vibration	MIL-STD-202 Method 204 Test Cond. B.
Thermal shock	MIL-STD-202 Method 107 Test Cond. B.
Corrosion (salt spray)	MIL-STD-202 Method 101 Test Cond. B.
<b>Materials</b>	
Body	Brass
<b>Center contacts</b>	
Female	Beryllium Copper or Brass
Male	Brass
Insulators	Teflon
<b>Finish</b>	
Bodies	Nickel or Gold
Center contacts	Gold Plated

# V-7235-7



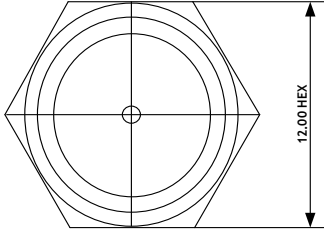
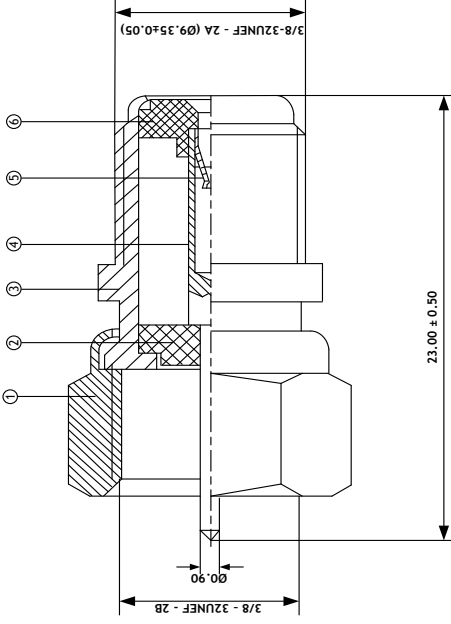
DIMENSION ARE IN MILLIMETERS		UNLESS OTHERWISE SPECIFIED TOLERANCES					
0.5-5	= ±0.2						
6-30	= ±0.4						
30-120	= ±0.6						
120-315	= ±1.0						
315-1000	= ±1.6						
1000-2000	= ±2.4						
NO	DESCRIPTION	MATERIAL	FINISH	QTY	SCALE	ISSUE	mm
6	INSULATOR	TEFLON	WHITE	1			
5	CENTER CONTACT	BE CU	GOLD	1			
4	CONTACT PIN	BRASS	GOLD	1			
3	BODY	BRASS	NICKEL	1			
2	INSULATOR	TEFLON	WHITE	1			
1	NUT	BRASS	NICKEL	1			

Velocity Technology Industries	
PART NO. : V-7235	TITLE: F MALE TO F FEMALE TYPE
APPROVED DATE: 12 October 2008	CHECKED DATE: 11 August 2008
DRAWN DATE: 6 July 2008	FILE No. :



DIMENSION ARE IN MILLIMETERS		UNLESS OTHERWISE SPECIFIED TOLERANCES					
0.5-5	= ±0.2						
6-30	= ±0.4						
30-120	= ±0.6						
120-315	= ±1.0						
315-1000	= ±1.6						
1000-2000	= ±2.4						
NO	DESCRIPTION	MATERIAL	FINISH	QTY	SCALE	ISSUE	mm
6	INSULATOR	TEFLON	WHITE	1			
5	CENTER CONTACT	BE CU	GOLD	1			
4	CONTACT PIN	BRASS	GOLD	1			
3	BODY	BRASS	NICKEL	1			
2	INSULATOR	TEFLON	WHITE	1			
1	NUT	BRASS	NICKEL	1			

Velocity Technology Industries	
PART NO. : V-7235	TITLE: F MALE TO F FEMALE TYPE
APPROVED DATE: 12 October 2008	CHECKED DATE: 11 August 2008
DRAWN DATE: 6 July 2008	FILE No. :

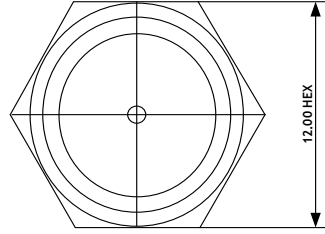
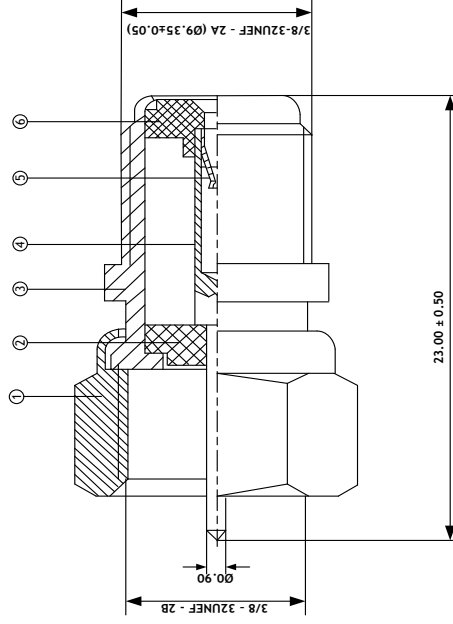


DIMENSION ARE IN MILLIMETERS		UNLESS OTHERWISE SPECIFIED TOLERANCES	
0.5-5	= ±0.2		
6-30	= ±0.4		
30-120	= ±0.6		
120-315	= ±1.0		
315-1000	= ±1.6		
1000-2000	= ±2.4		

NO	DESCRIPTION	MATERIAL	FINISH	QTY
6	INSULATOR	TEFLON	WHITE	1
5	CENTER CONTACT	BE, CU	GOLD	1
4	CONTACT PIN	BRASS	GOLD	1
3	BODY	BRASS	NICKEL	1
2	INSULATOR	TEFLON	WHITE	1
1	NUT	BRASS	NICKEL	1

SCALE	ISSUE	mm

Velocity Technology Industries	
PART NO. : V-7235	TITLE: F MALE TO F FEMALE TYPE
APPROVED DATE: 12 October 2008	CHECKED DATE: 11 August 2008
DRAWN DATE: 6 July 2008	FILE No. :



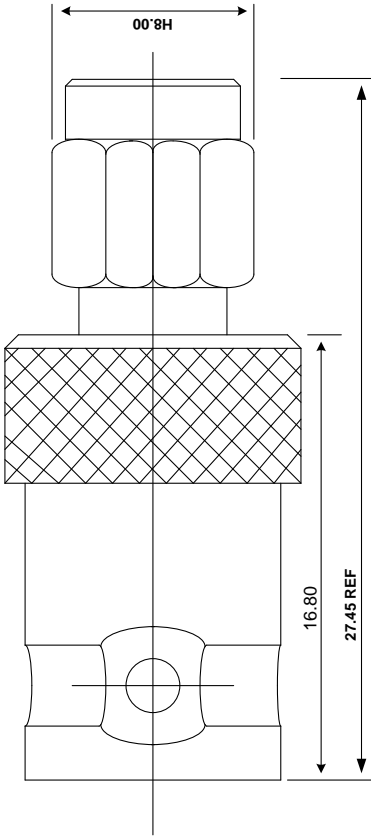
DIMENSION ARE IN MILLIMETERS		UNLESS OTHERWISE SPECIFIED TOLERANCES	
0.5-5	= ±0.2		
6-30	= ±0.4		
30-120	= ±0.6		
120-315	= ±1.0		
315-1000	= ±1.6		
1000-2000	= ±2.4		

NO	DESCRIPTION	MATERIAL	FINISH	QTY
6	INSULATOR	TEFLON	WHITE	1
5	CENTER CONTACT	BE, CU	GOLD	1
4	CONTACT PIN	BRASS	GOLD	1
3	BODY	BRASS	NICKEL	1
2	INSULATOR	TEFLON	WHITE	1
1	NUT	BRASS	NICKEL	1

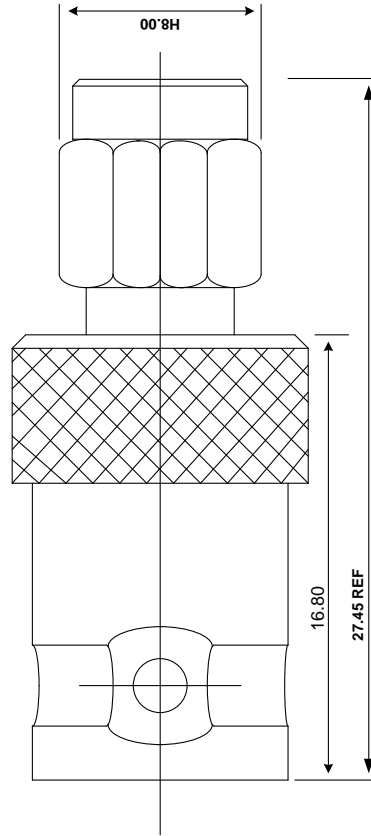
SCALE	ISSUE	mm

Velocity Technology Industries	
PART NO. : V-7235	TITLE: F MALE TO F FEMALE TYPE
APPROVED DATE: 12 October 2008	CHECKED DATE: 11 August 2008
DRAWN DATE: 6 July 2008	FILE No. :

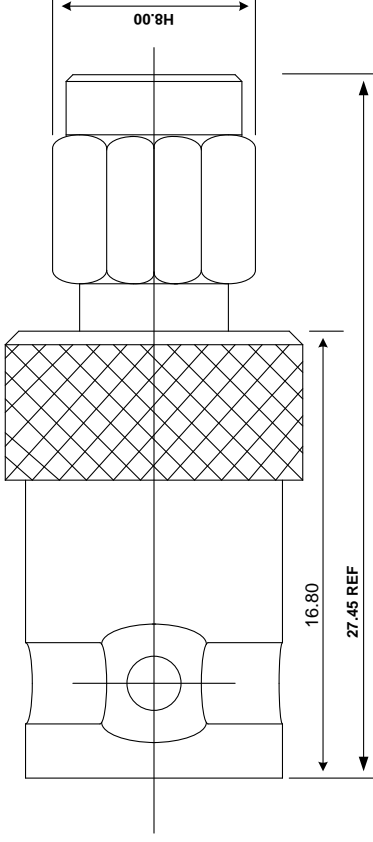
# V-7820



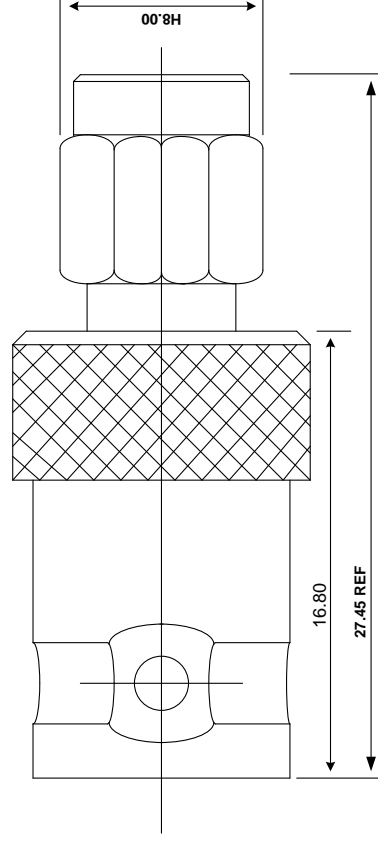
PART No. : V-7820		Velocity Technology Industries	
9	PRESS IT WASHER	BRASS	NICKEL 1
8	SHELL	BRASS	NICKEL 1
7	GASKET	SH-RUBBER	NONE 1
6	RETAINING RING	SUB	NICKEL 1
5	DIELECTRIC	TEFLON	NONE 1
4	DIELECTRIC	TEFLON	NONE 1
3	PIN	BRASS	GOLD 1
2	BODY	BRASS	NICKEL 1
1	BODY	BRASS	NICKEL 1
NO	DESCRIPTION	MATERIAL	FINISH QTY
DIMENSION ARE IN MILLIMETERS		UNLESS OTHERWISE SPECIFIED TOLERANCES	
SCALE		ISSUE	
mm		mm	
PART No. : V-7820		TITLE: SMA MALE TO BNC FEMALE ADAPTER	
APPROVED DATE February 14 2008		DRAWING No. : V-7820BFSMAM	
CHECKED DATE February 10 2008		FILE No. :	
DRAWN DATE February 10 2008			



PART No. : V-7820		Velocity Technology Industries	
9	PRESS IT WASHER	BRASS	NICKEL 1
8	SHELL	BRASS	NICKEL 1
7	GASKET	SH-RUBBER	NONE 1
6	RETAINING RING	SUB	NICKEL 1
5	DIELECTRIC	TEFLON	NONE 1
4	DIELECTRIC	TEFLON	NONE 1
3	PIN	BRASS	GOLD 1
2	BODY	BRASS	NICKEL 1
1	BODY	BRASS	NICKEL 1
NO	DESCRIPTION	MATERIAL	FINISH QTY
DIMENSION ARE IN MILLIMETERS		UNLESS OTHERWISE SPECIFIED TOLERANCES	
SCALE		ISSUE	
mm		mm	
PART No. : V-7820		TITLE: SMA MALE TO BNC FEMALE ADAPTER	
APPROVED DATE February 14 2008		DRAWING No. : V-7820BFSMAM	
CHECKED DATE February 10 2008		FILE No. :	
DRAWN DATE February 10 2008			



PART No. : V-7820		Velocity Technology Industries	
9	PRESS IT WASHER	BRASS	NICKEL 1
8	SHELL	BRASS	NICKEL 1
7	GASKET	SI-RUBBER	NONE 1
6	RETAINING RING	SUB	NICKEL 1
5	DIELECTRIC	TEFLON	NONE 1
4	DIELECTRIC	TEFLON	NONE 1
3	PIN	BRASS	GOLD 1
2	BODY	BRASS	NICKEL 1
1	BODY	BRASS	NICKEL 1
NO	DESCRIPTION	MATERIAL	FINISH QTY
		SCALE	ISSUE mm
		DIMENSION ARE IN MILLIMETERS	
		UNLESS OTHERWISE SPECIFIED TOLERANCES	
		0.5-5 = ±0.2	
		6-30 = ±0.4	
		30-120 = ±0.6	
		120-315 = ±1.0	
		315-1000 = ±1.6	
		1000-2000 = ±2.4	
APPROVED DATE		February 14 2008	
CHECKED DATE		February 10 2008	
DRAWN DATE		February 10 2008	
TITLE:		SMA MALE TO BNC FEMALE ADAPTER	
DRAWING No. :		V-7820BFSMAM	
FILE No. :			



PART No. : V-7820		Velocity Technology Industries	
9	PRESS IT WASHER	BRASS	NICKEL 1
8	SHELL	BRASS	NICKEL 1
7	GASKET	SI-RUBBER	NONE 1
6	RETAINING RING	SUB	NICKEL 1
5	DIELECTRIC	TEFLON	NONE 1
4	DIELECTRIC	TEFLON	NONE 1
3	PIN	BRASS	GOLD 1
2	BODY	BRASS	NICKEL 1
1	BODY	BRASS	NICKEL 1
NO	DESCRIPTION	MATERIAL	FINISH QTY
		SCALE	ISSUE mm
		DIMENSION ARE IN MILLIMETERS	
		UNLESS OTHERWISE SPECIFIED TOLERANCES	
		0.5-5 = ±0.2	
		6-30 = ±0.4	
		30-120 = ±0.6	
		120-315 = ±1.0	
		315-1000 = ±1.6	
		1000-2000 = ±2.4	
APPROVED DATE		February 14 2008	
CHECKED DATE		February 10 2008	
DRAWN DATE		February 10 2008	
TITLE:		SMA MALE TO BNC FEMALE ADAPTER	
DRAWING No. :		V-7820BFSMAM	
FILE No. :			