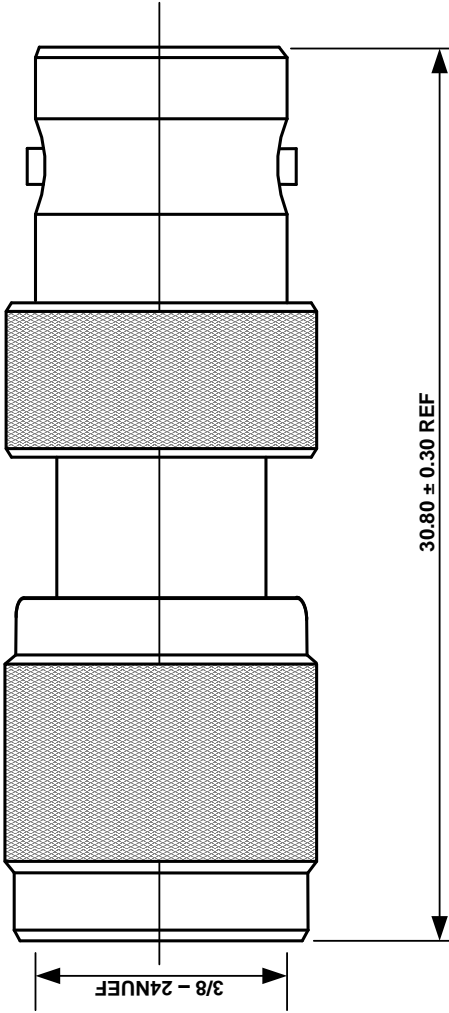


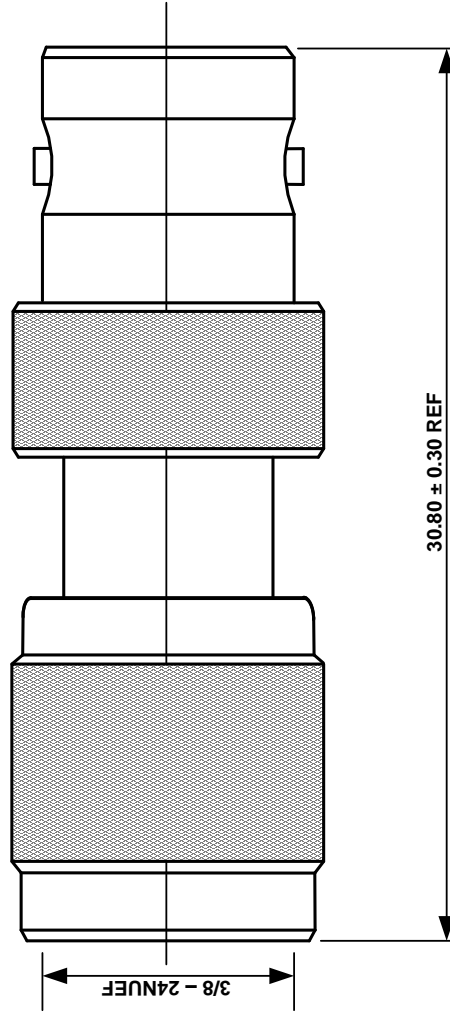


<b>Electrical Characteristics</b>	
Impedance	Non-Constant
Frequency range	0-2 GHz
Insulation resistance	5000 Megohms min.
<b>Contact resistance</b>	
Centre contact	3 Milliohms Max.
Outer conductor	2 Milliohms Max.
Working voltage in VRMS (at sea level)	335 VRMS max. at sea level
Dielectric withstanding voltage in VRMS (at sea level)	1000 VRMS min. at sea level
<b>Mechanical Characteristics</b>	
Durability	500 matings
Force to engage and disengage	2 in-lbs. max
Proof torque	15 in-lbs. min
Coupling nut retention force	80 lbs. min.
Center contact retention force	6 lbs. min
<b>Environmental Characteristics</b>	
Temperature range	(-65°C to 165°C)
Corrosion (salt spray)	MIL-STD-202 Method 101 Test Cond. B.
Vibration	MIL-STD-202 Method 204 Test Cond. B
Shock	
<b>Materials</b>	
Body (nut) / center male contact / outer contacts	Brass
Center female contacts	Brass / Beryllium Copper
Ferrules	Brass
Insulators	Teflon
<b>Plating</b>	
Body	Nickel
Coupling nut / design	Nickel
Center contacts	Gold
Outer contacts / design	Nickel

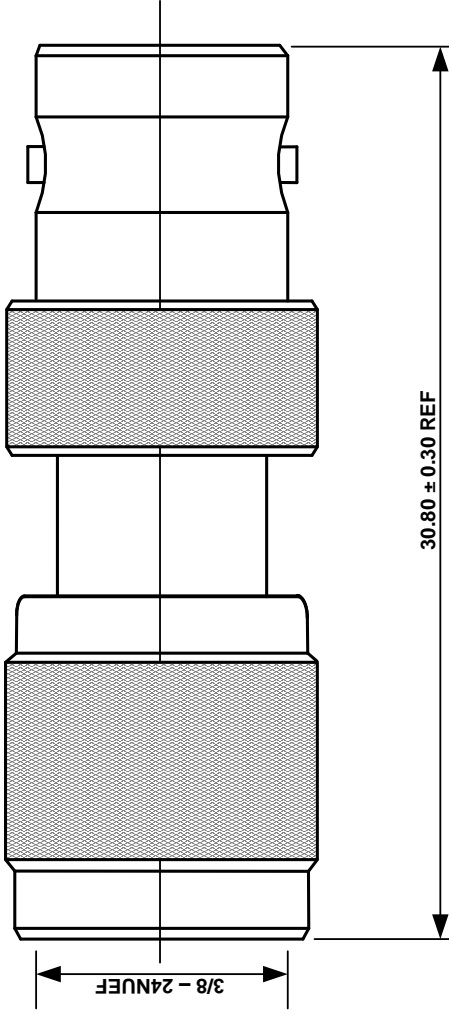
V-7607-5



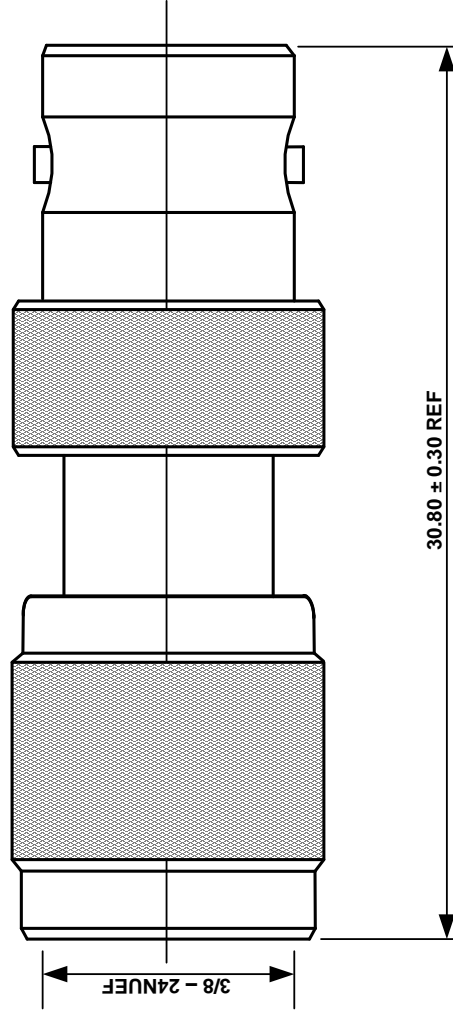
DIMENSION IN MILLIMETERS UNLESS OTHERWISE SPECIFIED TOLERANCES		PART NO.: V-7607-5		VELOCITY TECHNOLOGY INDUSTRIES	
0.5 - 5	± 0.2	APPROVED DATE:	September 6 2009	TITLE:	MINI UHF MALE TO BNC FEMALE, 50OHM
5.0 - 30	± 0.4	CHECKED DATE:	July 10 2009	DRAWING NO.:	V-7607 50OHM
30.0 - 120	± 0.6	ISSUE			
120.0 - 315	± 1.0	FINISH			
315.0 - 1000	± 1.6	QTY			
1000.0 - 2000	± 2.4	MATERIAL			
		SCALE			
		ISSUE	mm		
		DESCRIPTION			
5	SHELL	NICKEL	1		
4	WASHER	NICKEL	1		
3	DIELECTRIC	NONE	1		
2	PIN	GOLD	1		
1	BODY	NICKEL	1		



DIMENSION IN MILLIMETERS UNLESS OTHERWISE SPECIFIED TOLERANCES		PART NO.: V-7607-5		VELOCITY TECHNOLOGY INDUSTRIES	
0.5 - 5	± 0.2	APPROVED DATE:	September 6 2009	TITLE:	MINI UHF MALE TO BNC FEMALE, 50OHM
5.0 - 30	± 0.4	CHECKED DATE:	July 10 2009	DRAWING NO.:	V-7607 50OHM
30.0 - 120	± 0.6	ISSUE			
120.0 - 315	± 1.0	FINISH			
315.0 - 1000	± 1.6	QTY			
1000.0 - 2000	± 2.4	MATERIAL			
		SCALE			
		ISSUE	mm		
		DESCRIPTION			
5	SHELL	NICKEL	1		
4	WASHER	NICKEL	1		
3	DIELECTRIC	NONE	1		
2	PIN	GOLD	1		
1	BODY	NICKEL	1		

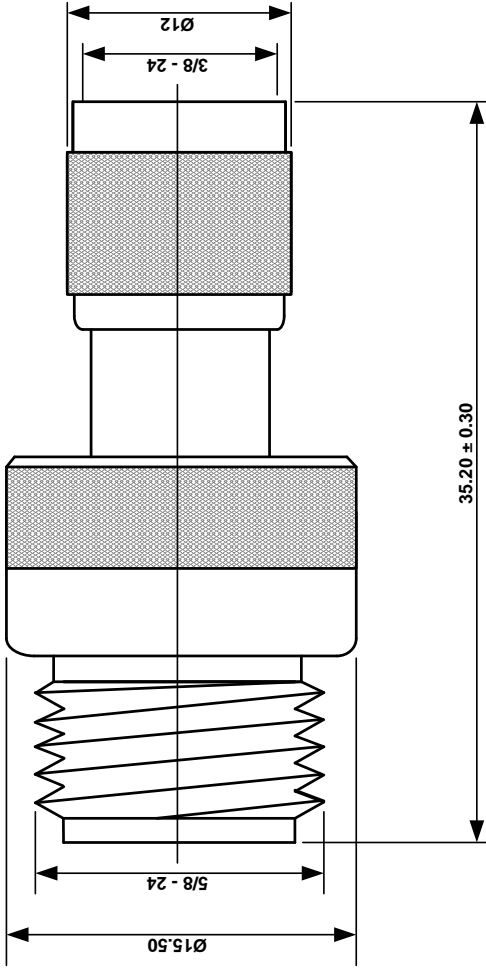


DIMENSION IN MILLIMETERS UNLESS OTHERWISE SPECIFIED TOLERANCES		PART NO.: V-7607-5		VELOCITY TECHNOLOGY INDUSTRIES		
0.5 -	5 ± 0.2			TITLE:		
5.0 - 30	± 0.4	APPROVED DATE:		MINI UHF MALE TO BNC FEMALE, 50OHM		
30.0 - 120	± 0.6	September 6 2009				
120.0 - 315	± 1.0	CHECKED DATE:		DRAWING NO.:		
315.0 - 1000	± 1.6	July 10 2009		V-7607 50OHM		
1000.0 - 2000	± 2.4	DRAWN DATE:				
		July 10 2009				
NO.	DESCRIPTION	MATERIAL	FINISH	QTY	SCALE	ISSUE
5	SHELL	BRASS	NICKEL	1		
4	WASHER	BRASS	NICKEL	1		
3	DIELECTRIC	PELON	NONE	1		
2	PIN	BRASS	GOLD	1		
1	BODY	BRASS	NICKEL	1		

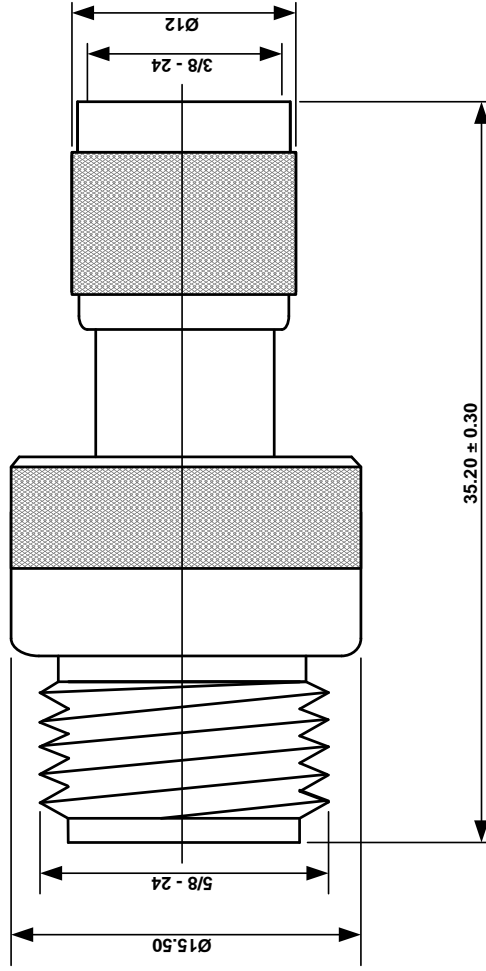


DIMENSION IN MILLIMETERS UNLESS OTHERWISE SPECIFIED TOLERANCES		PART NO.: V-7607-5		VELOCITY TECHNOLOGY INDUSTRIES		
0.5 -	5 ± 0.2			TITLE:		
5.0 - 30	± 0.4	APPROVED DATE:		MINI UHF MALE TO BNC FEMALE, 50OHM		
30.0 - 120	± 0.6	September 6 2009				
120.0 - 315	± 1.0	CHECKED DATE:		DRAWING NO.:		
315.0 - 1000	± 1.6	July 10 2009		V-7607 50OHM		
1000.0 - 2000	± 2.4	DRAWN DATE:				
		July 10 2009				
NO.	DESCRIPTION	MATERIAL	FINISH	QTY	SCALE	ISSUE
5	SHELL	BRASS	NICKEL	1		
4	WASHER	BRASS	NICKEL	1		
3	DIELECTRIC	PELON	NONE	1		
2	PIN	BRASS	GOLD	1		
1	BODY	BRASS	NICKEL	1		

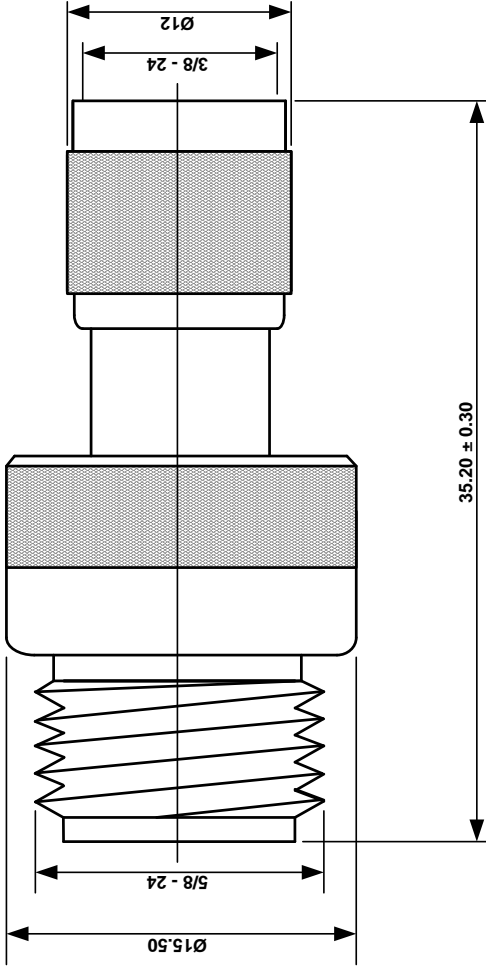
V-7608-5



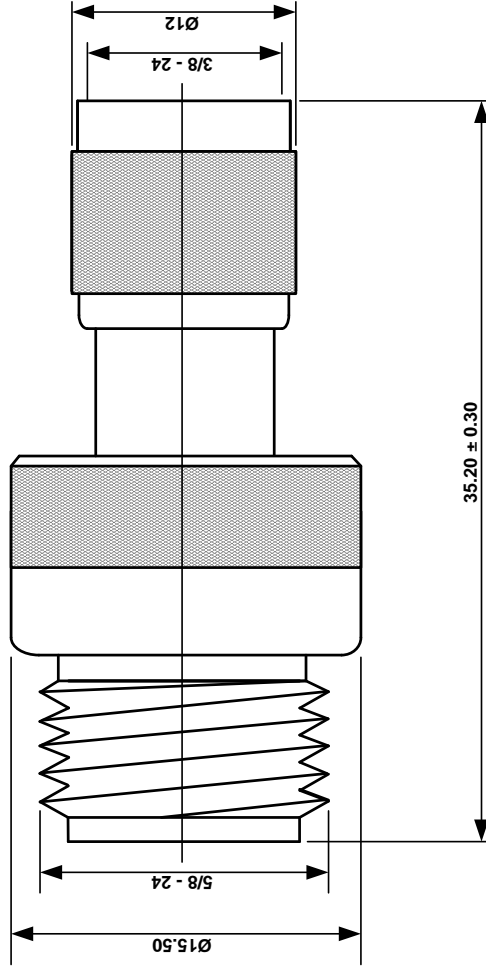
VELOCITY TECHNOLOGY INDUSTRIES						
PART NO.:	V-7608-5					
TITLE: MINI UPH MALE TO N FEMALE, 50OHM						
APPROVED DATE:	September 6 2009					
CHECKED DATE:	July 10 2009					
DRAWING NO.:	V-7608 50OHM					
DRAWN DATE:	July 10 2009					
DIMENSION IN MILLIMETERS UNLESS OTHERWISE SPECIFIED TOLERANCES						
0.5 - 5	± 0.2					
5.0 - 30	± 0.4					
30.0 - 120	± 0.6					
120.0 - 315	± 1.0					
315.0 - 1000	± 1.6					
1000.0 - 2000	± 2.4					
NO.	DESCRIPTION	MATERIAL	FINISH	QTY	SCALE	ISSUE
5	SHELL	BRASS	NICKEL	1		
4	DIELECTRIC	TEFLON	NONE	1		
3	DIELECTRIC	TEFLON	NONE	1		
2	PIN	BRASS	GOLD	1		
1	BODY	BRASS	NICKEL	1		



VELOCITY TECHNOLOGY INDUSTRIES						
PART NO.:	V-7608-5					
TITLE: MINI UPH FEMALE TO N MALE, 50OHM						
APPROVED DATE:	September 6 2009					
CHECKED DATE:	July 10 2009					
DRAWING NO.:	V-7608 50OHM					
DRAWN DATE:	July 10 2009					
DIMENSION IN MILLIMETERS UNLESS OTHERWISE SPECIFIED TOLERANCES						
0.5 - 5	± 0.2					
5.0 - 30	± 0.4					
30.0 - 120	± 0.6					
120.0 - 315	± 1.0					
315.0 - 1000	± 1.6					
1000.0 - 2000	± 2.4					
NO.	DESCRIPTION	MATERIAL	FINISH	QTY	SCALE	ISSUE
5	SHELL	BRASS	NICKEL	1		
4	DIELECTRIC	TEFLON	NONE	1		
3	DIELECTRIC	TEFLON	NONE	1		
2	PIN	BRASS	GOLD	1		
1	BODY	BRASS	NICKEL	1		



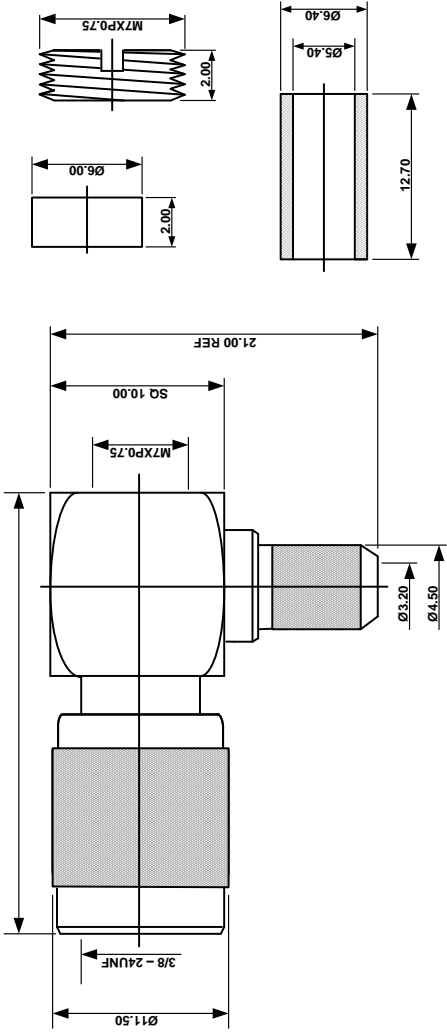
VELOCITY TECHNOLOGY INDUSTRIES							
PART NO.:	V-7608-5						
TITLE:	MINI UHF MALE TO N FEMALE, 500MH						
APPROVED DATE:	September 6 2009						
CHECKED DATE:	July 10 2009						
DRAWN DATE:	July 10 2009						
DIMENSION IN MILLIMETERS UNLESS OTHERWISE SPECIFIED TOLERANCES 0.5 - 5 = ± 0.2 5.0 - 30 = ± 0.4 30.0 - 120 = ± 0.6 120.0 - 315 = ± 1.0 315.0 - 1000 = ± 1.6 1000.0 - 2000 = ± 2.4							
NO.	DESCRIPTION	MATERIAL	FINISH	QTY	SCALE	ISSUE	mm
5	SHELL	BRASS	NICKEL	1			
4	DIELECTRIC	TEFLON	NONE	1			
3	DIELECTRIC	TEFLON	NONE	1			
2	PIN	GOLD	NONE	1			
1	BODY	BRASS	NICKEL	1			



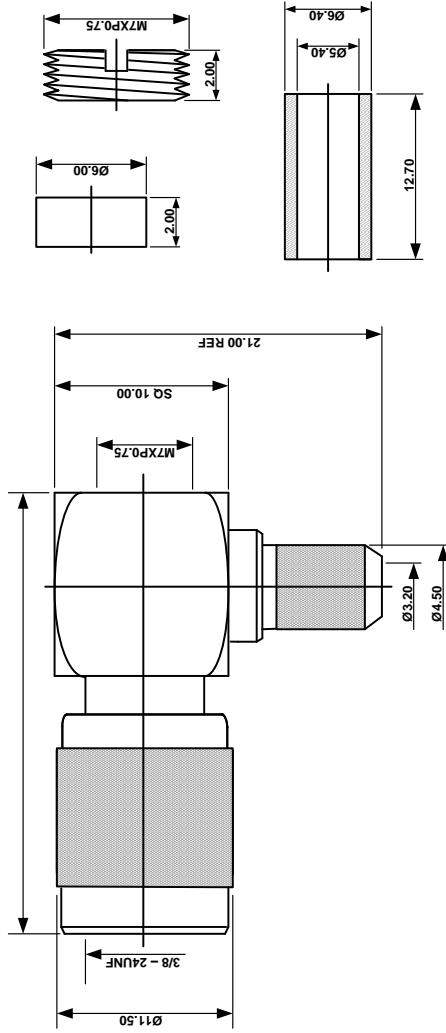
VELOCITY TECHNOLOGY INDUSTRIES							
PART NO.:	V-7608-5						
TITLE:	MINI UHF MALE TO N FEMALE, 500MH						
APPROVED DATE:	September 6 2009						
CHECKED DATE:	July 10 2009						
DRAWN DATE:	July 10 2009						
DIMENSION IN MILLIMETERS UNLESS OTHERWISE SPECIFIED TOLERANCES 0.5 - 5 = ± 0.2 5.0 - 30 = ± 0.4 30.0 - 120 = ± 0.6 120.0 - 315 = ± 1.0 315.0 - 1000 = ± 1.6 1000.0 - 2000 = ± 2.4							
NO.	DESCRIPTION	MATERIAL	FINISH	QTY	SCALE	ISSUE	mm
5	SHELL	BRASS	NICKEL	1			
4	DIELECTRIC	TEFLON	NONE	1			
3	DIELECTRIC	TEFLON	NONE	1			
2	PIN	GOLD	NONE	1			
1	BODY	BRASS	NICKEL	1			







VELOCITY TECHNOLOGY INDUSTRIES			
PART NO.: V-7623-58			
DIMENSION IN MILLIMETERS UNLESS OTHERWISE SPECIFIED TOLERANCES			
0.5 - 5 = ±0.2			
5.0 - 30 = ±0.4			
30.0 - 120 = ±0.6			
120.0 - 315 = ±1.0			
315.0 - 1000 = ±1.6			
1000.0 - 2000 = ±2.4			
SCALE			
ISSUE			
mm			
NO. DESCRIPTION MATERIAL FINISH QTY			
9	FERRULE	NICKEL	1
8	SHELL	NICKEL	1
7	NUT	NICKEL	1
6	SLEEVE	NICKEL	1
5	PRES-FIT FERRULE STD	NICKEL	1
4	DIELECTRIC	TEFLON	1
3	DIELECTRIC	TEFLON	1
2	PIN	BRASS	1
1	BODY	BRASS	1
NO. DESCRIPTION MATERIAL FINISH QTY			
SCALE			
ISSUE			
mm			
PART NO.: V-7623-58			
TITLE: RIGHT ANGLE MINI UHF MALE CRIMP FOR RGS8U, 50OHM			
APPROVED DATE: September 6 2009			
CHECKED DATE: July 10 2009			
DRAWN DATE: July 10 2009			
DRAWING NO.: V-7623 RGS8U 50OHM			



VELOCITY TECHNOLOGY INDUSTRIES			
PART NO.: V-7623-58			
DIMENSION IN MILLIMETERS UNLESS OTHERWISE SPECIFIED TOLERANCES			
0.5 - 5 = ±0.2			
5.0 - 30 = ±0.4			
30.0 - 120 = ±0.6			
120.0 - 315 = ±1.0			
315.0 - 1000 = ±1.6			
1000.0 - 2000 = ±2.4			
SCALE			
ISSUE			
mm			
NO. DESCRIPTION MATERIAL FINISH QTY			
9	FERRULE	NICKEL	1
8	SHELL	NICKEL	1
7	NUT	NICKEL	1
6	SLEEVE	NICKEL	1
5	PRES-FIT FERRULE STD	NICKEL	1
4	DIELECTRIC	TEFLON	1
3	DIELECTRIC	TEFLON	1
2	PIN	BRASS	1
1	BODY	BRASS	1
NO. DESCRIPTION MATERIAL FINISH QTY			
SCALE			
ISSUE			
mm			
PART NO.: V-7623-58			
TITLE: RIGHT ANGLE MINI UHF MALE CRIMP FOR RGS8U, 50OHM			
APPROVED DATE: September 6 2009			
CHECKED DATE: July 10 2009			
DRAWN DATE: July 10 2009			
DRAWING NO.: V-7623 RGS8U 50OHM			